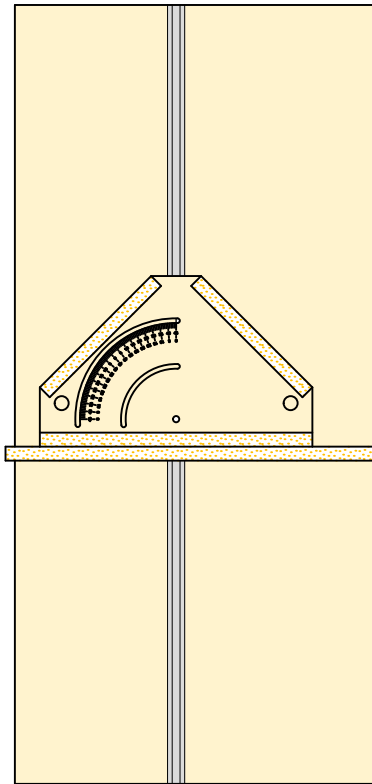
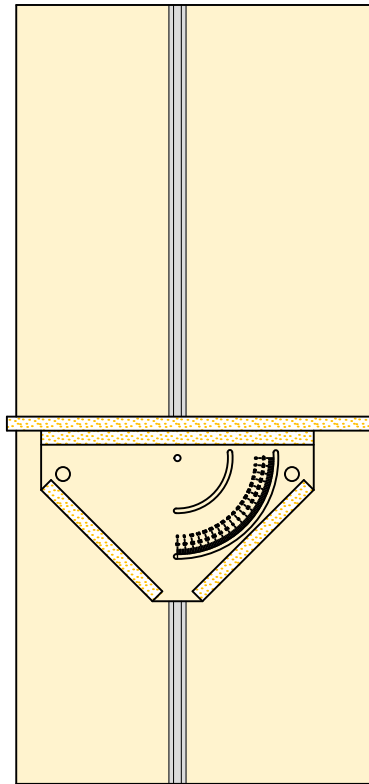


COMPACT MITER FENCE – Applications

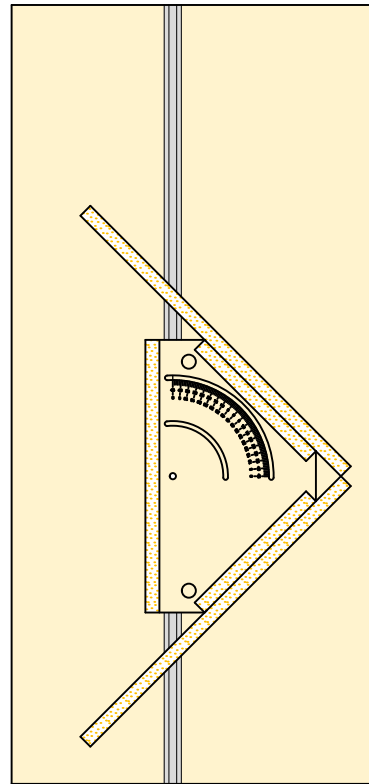
This fence can be installed anywhere along the length of the Sliding Table T-track. After inserting and positioning both the Pivot knob and the Angle setting knob should be progressively tightened until the desired location and angle are obtained. The Sliding Table replaces the traditional miter slot of conventional table saws.



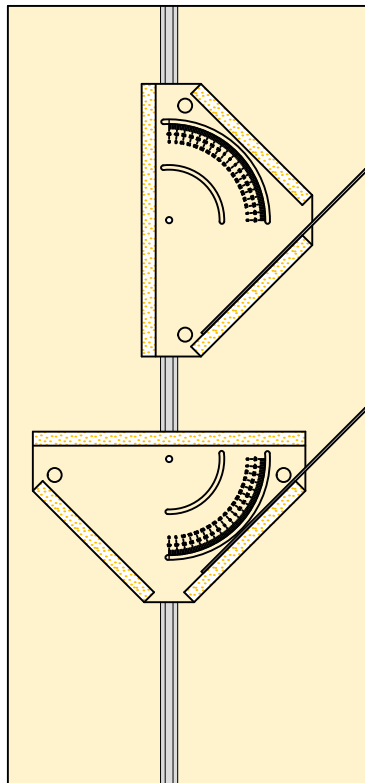
Crosscutting (Fence at the front)



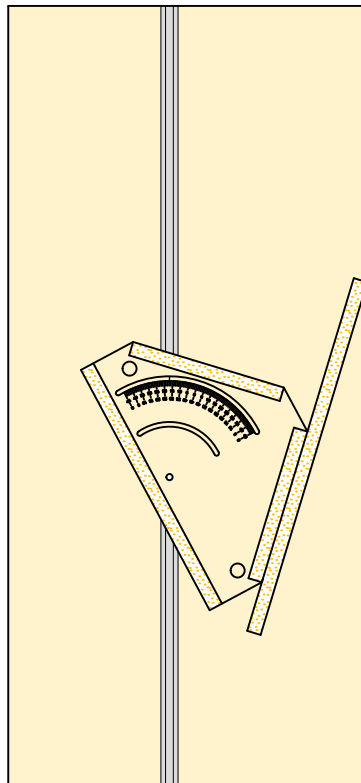
Crosscutting (Fence at the back)



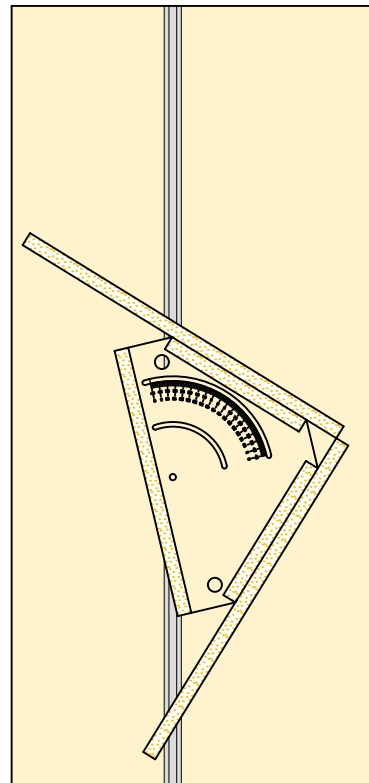
Mitering jig



Featherboard (2 options)



Acute angles (e.g. wedges)



Odd angles (e.g. brackets, gussets)

Drawing not to scale